

8kg Condenser Dryer, Ultimate Care with 2 Stars Energy efficiency, Advanced sensor dry, Reverse tumbling action and refresh cycle



Product Details

FEATURES

Advanced Sensor Dry

Reversing tumble action

Special programs for easy iron

Easy to install condenser drying system

Drain kit included
Drains excess water so you don't need to empty the water tank manually

BENEFITS

Advanced SensiCare
Your clothes will be dried almost perfectly with Advanced SensiCare. Humidity sensors are activated throughout each cycle to eliminate over drying, which can be harmful to fabrics. So, you enjoy optimal drying accuracy, along with exceptional care and performance.

Large Reversible Door
Everyones laundry is different. Thats why we designed a large reversible door to accommodate those tight spaces and side-by-side installations. You can easily change the direction of the door opening yourself to suit your requirements. Plus, the large door size also allows you to load and unload your dryer with ease.

Soft Touch Drum
With its raised circular texture, the Soft Touch Drum creates a gentle environment for delicate clothing by minimising prolonged contact clothing makes with the drum.

Refresh Cycle
The refresh cycle uses cool and hot air to refresh clothes that may have been in storage.

Specifications

PRODUCT PROFILE

| | |
|---------------------------------|---|
| Domestic warranty details (yrs) | 2 |
|---------------------------------|---|

| | |
|------------|-----------|
| Dryer Type | condenser |
|------------|-----------|

| | |
|---------------|---|
| Capacity (Kg) | 8 |
|---------------|---|

| | |
|-------------------|----|
| Wall mount option | no |
|-------------------|----|

ENERGY

| | |
|-------------------------------|---|
| Energy Efficiency Star Rating | 2 |
|-------------------------------|---|

| | |
|------------------------------|-----|
| Energy Consumption (KWhr/yr) | 358 |
|------------------------------|-----|

BUTTON FUNCTIONS

| | |
|-----------|--|
| Functions | Refresh, auto sensing, auto cool down, Child Lock, reverse tumbling drum action, End Alert |
|-----------|--|

DIMENSIONS

| | |
|-------------------|-----|
| Total height (mm) | 850 |
|-------------------|-----|

| | |
|------------------|-----|
| Total width (mm) | 600 |
|------------------|-----|

| | |
|------------------|-----|
| Total depth (mm) | 665 |
|------------------|-----|

CONTROLS

| | |
|------------------|----------------------|
| Type of controls | rotary, Touch button |
|------------------|----------------------|

| | |
|-------------------|---|
| Options available | delay start, auto sensing, Extra Anticrease, End Alert, Gentle Dry, Dryness Level, Time Dry |
|-------------------|---|

| | |
|-----------------|-----|
| Type of display | LED |
|-----------------|-----|

DRYING PROGRAMS

| | |
|-----------------|--|
| Drying Programs | Cotton, Synthetic, Delicate, mixed load, Sports, Wool, Favourite, Energy Saver, Denim, Shirts, Easy Iron |
|-----------------|--|

DRUM

| | |
|-------------------|-----------------|
| Spin tub material | stainless steel |
|-------------------|-----------------|

DOOR

| | |
|------|------------------|
| Type | See through door |
|------|------------------|

| | |
|-------------------|--------|
| Dryer Door colour | silver |
|-------------------|--------|

| | |
|---------------|-----|
| Door diameter | 340 |
|---------------|-----|

| | |
|-------------|--------------------|
| Door safety | door safety switch |
|-------------|--------------------|

CABINET

| | |
|----------------|-------|
| Cabinet Colour | white |
|----------------|-------|

| | |
|------------------|--------------------------|
| Cabinet material | painted galvanized steel |
|------------------|--------------------------|

TECHNICAL

| | |
|---------------------|------|
| Service cord length | 1450 |
|---------------------|------|

| | |
|----------------------------|--------------|
| Dryer Lint filter position | front pocket |
|----------------------------|--------------|

| | |
|--------|--------------|
| Buzzer | end of cycle |
|--------|--------------|

| | |
|---------------------|------|
| Dryer Element watts | 2000 |
|---------------------|------|

SHIPPING

| | |
|----------------------|------|
| Shipping Volume (m3) | 40.9 |
|----------------------|------|

| | |
|----------------------|----|
| Shipping Weight (Kg) | 46 |
|----------------------|----|

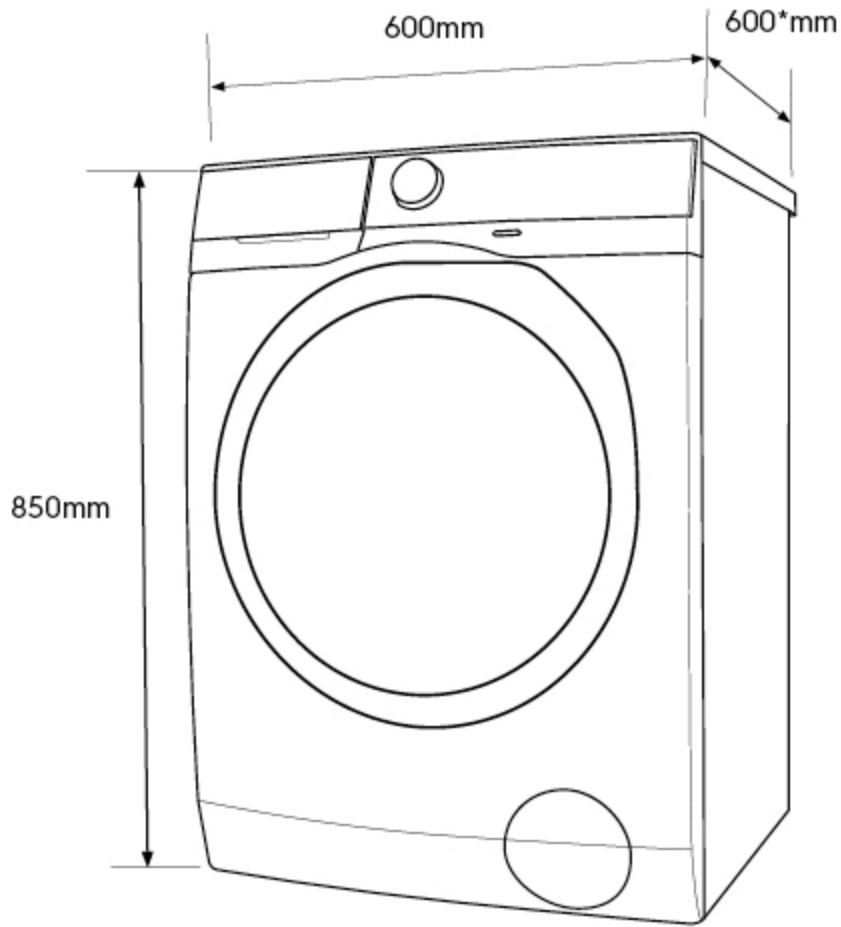
| | |
|-----------------------------|-----|
| Pack Dimensions Height (mm) | 900 |
|-----------------------------|-----|

| | |
|---------------------------|-----|
| Pack Dimension Width (mm) | 640 |
|---------------------------|-----|

SHIPPING

| | |
|------------------------------|-----|
| Pack Dimension Depth (mm) | 710 |
|------------------------------|-----|

Dimensions



IMPORTANT

This is a guide of product dimensions only. For complete installation instructions, refer to the manual provided with product.

© 2019 Electrolux Home Products Pty Ltd. EDIM_HP_CON_Dryer_Jan19

Terms and Conditions

IMPORTANT

This is a guide of product dimensions only. For complete installation instructions, refer to the manual provided with product.

PRODUCT INFORMATION

The descriptors and illustrations in this publication apply to the specific products and models described as at the date of issue. Under our policy of continuous product development, product specifications may change without notice. Prospective purchasers should therefore check with their retailer to ensure this publication correctly describes the products that are being offered for sale. All information supplied is to be used for general reference purposes only and is on the understanding that Electrolux Home Products Pty Ltd (Australia) and Electrolux (NZ) Ltd (New Zealand) will not be liable for any loss, liability or damage of whatever kind arising as a result of reliance on such information. Colours of products illustrated are as close as printing limitations allow. Electrolux will at all times comply with its obligations pursuant to law including Trade Practices (Australian Consumer Law) Act and Regulations.

WARRANTY

This warranty only applies to Appliances purchased and used in Australia or New Zealand and used in normal domestic applications and is in addition to (and does not exclude, restrict, or modify in any way) any non-excludable statutory warranties in Australia or New Zealand. All warranties are subject to the conditions set out in the warranty card accompanying the product when purchased.

ELECTROLUX HOME PRODUCTS AUSTRALIA

telephone: 1300 363 640

fax: 1800 350 067

email: customercare@electrolux.com.au

web: www.electrolux.com.au

ELECTROLUX HOME PRODUCTS NEW ZEALAND

telephone: 09 573 2230

fax: 09 573 2221

email: customercare@electrolux.co.nz

web: www.electrolux.co.nz