

60cm 4 burner black ceramic glass cooktop with 17MJ/hr wok burner, dual flame control and cast iron trivets



Product Details

FEATURES

Powerful 17 MJ/HR wok burner

Dual Flame control

Ceramic glass cooktop

Wok stand included

Metalised knob

One hand ignition

Flame Failure Safety Device

Stability with cast trivets

LP conversion kit included
(must be installed by licensed tradesman)

BENEFITS

3 YEAR WARRANTY

Because peace of mind should last as long as great design, this product has three years of trusted Electrolux support.

*Available for purchases after 1 March 2026.

HIGH-POWERED HEAT

The powerful 17MJ wok burner provides the intense heat needed to lock in flavours and textures when stir-frying at high temperatures.

POWER AND CONTROL

Many top chefs prefer cooking with gas, finding easier to adjust to the subtle nuances of heat. With DualFlame, both the inner and outer burner flames can be adjusted. Choose the inner ring for gentle heating and simmering or add the power of the outer ring for intense stir frying, locking in crunch and flavour.

EASY CLEAN AND DURABLE

The flat ceramic glass surface not only makes it easier to clean burnt-on grease and grime to speed up the cleaning process after cooking but it is also very durable for added peace of mind.

STURDY AND STABLE

Sturdy cast iron supports ensure that your pots and pans are stable while cooking.

SAFETY SHUT-OFF

The flame failure safety device automatically cuts off the gas supply if the flame goes out during cooking. This means you can use your appliance at the lowest power without worrying about the flame extinguishing and leaking gas.

ONE-STEP IGNITION.

Ergonomically designed knobs with built-in electronic ignition means you can light the burners with only one step. Simply push down and turn the knob for an instant flame.

Specifications

PRODUCT PROFILE

Domestic warranty details (yrs)	3
Cooktop type	gas
Materials/Colour	black ceramic glass
Removable trim (for cleaning)	No
Wok included designed to fit cooktop	No
Knob Finish	Metalised dark finish

CONTROLS

Controls of Cooktops	knob
Position of controls	front
Features of Cooktop	flame failure,wok holder,Cast iron trivets,High powered,intense wok burner,Dual Valve Flame Control
Readable temperature setting	No

DIMENSIONS

Total product height (mm)	115
Total product width (mm)	595
Total product depth (mm)	530
Cut out width (mm)	560
Cut out depth (mm)	490
Cut out height (mm)	55

FEATURES

Trivets	cast iron
Ignition type	electronic

ELEMENTS/BURNERS

LEFT FRONT ZONE

Left front zone	dual valve wok
-----------------	----------------

Left front Mj/h	17.0
-----------------	------

RIGHT FRONT ZONE

Right front zone	simmer
------------------	--------

Right front Mj/h	5.1
------------------	-----

ELECTRICAL SPECIFICATIONS

Connected load KW	0.05
-------------------	------

Type of connection	7.5 Amp plug & lead
--------------------	---------------------

SHIPPING

Shipping Volume (m3)	0.069
----------------------	-------

Shipping Weight (Kg)	15.4
----------------------	------

Pack Dimensions Height (mm)	170
-----------------------------	-----

LEFT REAR ZONE

Left rear zone	semi-rapid
----------------	------------

Left rear Mj/h	9.0
----------------	-----

RIGHT REAR ZONE

Right rear zone	rapid
-----------------	-------

Right rear Mj/h	12.1
-----------------	------

GAS SPECIFICATIONS

Total burner output(NG)	43.2
-------------------------	------

Position of gas connection	rear left
----------------------------	-----------

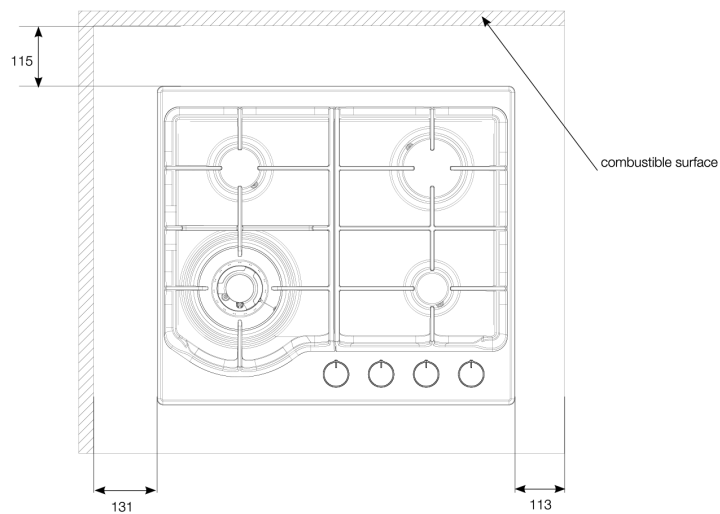
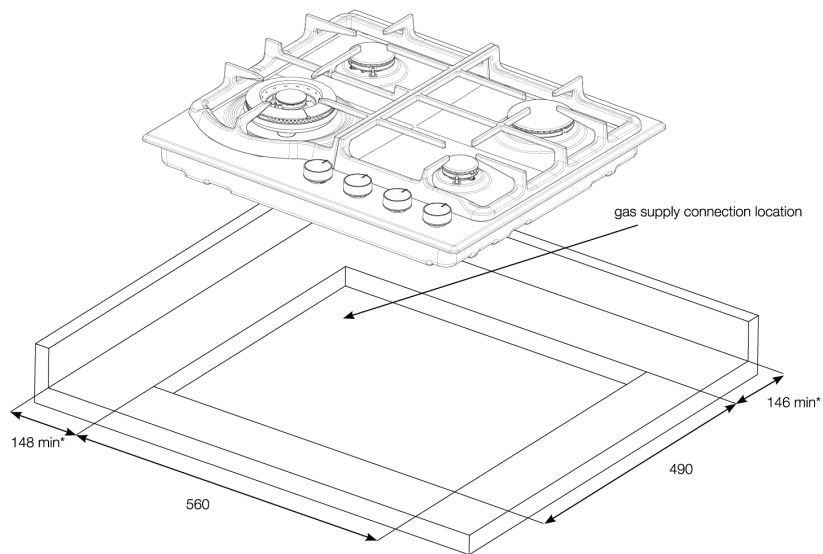
SHIPPING

Pack Dimension Width (mm)	685
------------------------------	-----

Pack Dimension Depth (mm)	595
------------------------------	-----

Dimensions

Model:
EHG645BE



© 2021 Electrolux S.E.A PTE. LTD. E_DIM_EHG645BE_Sep21

Terms and Conditions

IMPORTANT

This is a guide of product dimensions only. For complete installation instructions, refer to the manual provided with product.

PRODUCT INFORMATION

The descriptors and illustrations in this publication apply to the specific products and models described as at the date of issue. Under our policy of continuous product development, product specifications may change without notice. Prospective purchasers should therefore check with their retailer to ensure this publication correctly describes the products that are being offered for sale. All information supplied is to be used for general reference purposes only and is on the understanding that Electrolux Home Products Pty Ltd (Australia) and Electrolux (NZ) Ltd (New Zealand) will not be liable for any loss, liability or damage of whatever kind arising as a result of reliance on such information. Colours of products illustrated are as close as printing limitations allow. Electrolux will at all times comply with its obligations pursuant to law including Trade Practices (Australian Consumer Law) Act and Regulations.

WARRANTY

This warranty only applies to Appliances purchased and used in Australia or New Zealand and used in normal domestic applications and is in addition to (and does not exclude, restrict, or modify in any way) any non-excludable statutory warranties in Australia or New Zealand. All warranties are subject to the conditions set out in the warranty card accompanying the product when purchased.

ELECTROLUX HOME PRODUCTS AUSTRALIA

telephone: 1300 363 640

fax: 1800 350 067

email: customercare@electrolux.com.au

web: www.electrolux.com.au

ELECTROLUX HOME PRODUCTS NEW ZEALAND

telephone: 09 573 2230

fax: 09 573 2221

email: customercare@electrolux.co.nz

web: www.electrolux.co.nz