

60cm 4 zone induction cooktop with FlexZone, 14 stage slide controls, Stop & Go and Hob2Hood capability.



Product Details

FEATURES

FlexZone

Hob2Hood technology

Touch and slide controls
Touch the control bar at the
necessary heat setting

STOP + GO function

Auto warm-up function

Timer and minute minder

Auto pot detection

BENEFITS

When 2 become 1

Create a single large cooking surface, ideal for making the most of plancha grill plates or roasting pots. FlexZone combines 2 separate cooking zones, including the temperature and time settings, for ultimate flexibility.

The hands free hood

When paired with a compatible Electrolux extractor hood, the Hob2Hood automatically switches it on as you start cooking and adjusts the fan speed based on how you are using your hob. This means you can boil, sear or stir-fry without having to touch your hood with greasy fingers.

Control at your fingertips

The touch controls on this hob lets you heat up, down or switch off immediately. Just gently slide your finger across the control to the temperature you need and you can be confident it will respond right away, so you can create delicious meals effortlessly. The Stop & Go feature offers a useful keep warm setting if you're unexpectedly interrupted.

Pause cooking with Stop and Go

Created for those unexpected interruptions, the efficient Stop and Go function allows you to temporarily leave the cooktop on a keep-warm setting if you are called away. When you are ready to start cooking again, simply press Stop and Go, and the cooktop will restart again with your previous setting.

Specifications

PRODUCT PROFILE

Domestic warranty details (yrs)	2
Cooktop type	induction
Materials/Colour	black ceramic glass
Removable trim (for cleaning)	No
Wok included designed to fit cooktop	No

CONTROLS

Controls of Cooktops	Touch and Slide controls
Position of controls	front
Functions of Cooktops	stop and go,automatic warm up,timer,Keep warm function,cooking timer with acoustic signal,automatic switch off,power booster,Hob2Hood
Indicators/display	fault indicator,3 level residual heat indicator

DIMENSIONS

Total product height (mm)	55
Total product width (mm)	590
Total product depth (mm)	520
Cut out width (mm)	560
Cut out depth (mm)	490

ELEMENTS/BURNERS

LEFT FRONT ZONE

Left front zone	induction extended
Left front Watts	2300
Left front boost watts	3200
Left front diameter mm	210

CONTROLS

Features of Cooktop	safety cut off,overheating protection,electronic timer,minute minder,hot surface indicator,pot sensors,function lock,child safety device lock,flex zone on 2 zones ,Hob2Hood Connectivity
---------------------	-------------------------------------------------------------------------------------------------------------------------------------------------------------------------------------------

Timer of Cooktop	programmable 99min,auto off,countdown
------------------	---------------------------------------

LEFT REAR ZONE

Left rear zone	induction extended
----------------	--------------------

Left rear watts	2300
-----------------	------

Left rear diameter mm	210
-----------------------	-----

RIGHT REAR ZONE

Right rear zone	induction
-----------------	-----------

Right rear watts	1800
------------------	------

Right rear diameter mm	180
------------------------	-----

RIGHT FRONT ZONE

Right front zone	induction
------------------	-----------

Right front Watts	2500
-------------------	------

Right front diameter mm	145
-------------------------	-----

ELECTRICAL SPECIFICATIONS

Connected load KW	7.4
-------------------	-----

Type of connection	hardwired
--------------------	-----------

SHIPPING

STUFFING QUANTITIES

SHIPPING

Shipping Volume (m3)	0.48
----------------------	------

Shipping Weight (Kg)	11.8
----------------------	------

Pack Dimensions Height (mm)	118
-----------------------------	-----

Pack Dimension Width (mm)	595
---------------------------	-----

Pack Dimension Depth (mm)	680
---------------------------	-----

Total shelf area (m ²)	40.46
------------------------------------	-------

STUFFING QUANTITIES

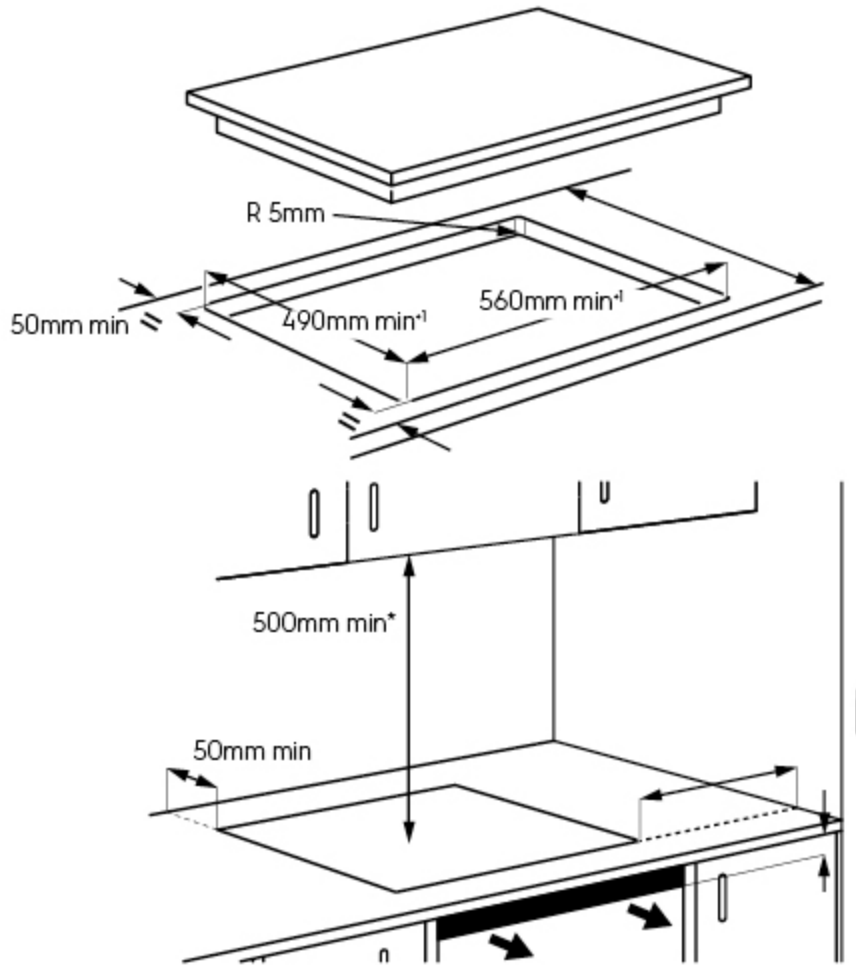
20ft	459
------	-----

40ft	969
------	-----

40ft HC	1140
---------	------

Dimensions

Models:
EHI645BD
EHI667BD
EHI635BD



*Unless otherwise specified in rangehood installation details.

Terms and Conditions

IMPORTANT

This is a guide of product dimensions only. For complete installation instructions, refer to the manual provided with product.

PRODUCT INFORMATION

The descriptors and illustrations in this publication apply to the specific products and models described as at the date of issue. Under our policy of continuous product development, product specifications may change without notice. Prospective purchasers should therefore check with their retailer to ensure this publication correctly describes the products that are being offered for sale. All information supplied is to be used for general reference purposes only and is on the understanding that Electrolux Home Products Pty Ltd (Australia) and Electrolux (NZ) Ltd (New Zealand) will not be liable for any loss, liability or damage of whatever kind arising as a result of reliance on such information. Colours of products illustrated are as close as printing limitations allow. Electrolux will at all times comply with its obligations pursuant to law including Trade Practices (Australian Consumer Law) Act and Regulations.

WARRANTY

This warranty only applies to Appliances purchased and used in Australia or New Zealand and used in normal domestic applications and is in addition to (and does not exclude, restrict, or modify in any way) any non-excludable statutory warranties in Australia or New Zealand. All warranties are subject to the conditions set out in the warranty card accompanying the product when purchased.

ELECTROLUX HOME PRODUCTS AUSTRALIA

telephone: 1300 363 640

fax: 1800 350 067

email: customercare@electrolux.com.au

web: www.electrolux.com.au

ELECTROLUX HOME PRODUCTS NEW ZEALAND

telephone: 09 573 2230

fax: 09 573 2221

email: customercare@electrolux.co.nz

web: www.electrolux.co.nz