

25L Dark stainless steel 7 function freestanding combination microwave, 10 auto cook programs and save your favourite program.



Product Details

FEATURES

10 auto cook programs

Fan forced and grilling with microwave function

Quick start reheat

Save your favourite program

Auto defrost by weight

Childproof lock

5 power levels

BENEFITS

Convenient automatic pre-defined programs

Every cook needs a hand in the kitchen. The convenient automatic pre-defined programs feature an array of recipes to help make cooking a breeze.

Two for one.

The compact, fan-forced oven with a combination microwave function speeds up your cooking time, with intuitive controls that makes cooking effortless

Save time with favourites program

Save time and enjoy the convenience of cooking your favourite dishes with the touch of a button. Simply program in your own preferred cooking mode and you'll avoid having to re-program the oven every time you cook your chosen dish.

Specifications

PRODUCT PROFILE

Domestic warranty details (yrs) 1

Type of Microwave combination microwave

PROGRAMS

PROGRAM OPTIONS

Number of Programmed functions 10

Auto cook programs Yes

Auto weight defrosting programs Yes

Auto weight programs Yes

INTERNAL

Internal depth (mm) 346

Turntable diameter (mm) 315

COOKING MODES

Number of combination cooking modes 4

DIMENSIONS

PRODUCT

Total height (mm) 307

Total width (mm) 513

Total depth (mm) 472

CONTROLS

Controls touch

Display LED

Memory function Yes

TIMER

Type of timer	fully programmable timer
---------------	--------------------------

Signals	end
---------	-----

Timer functions	acoustic signal,duration,time of day,end,minute minder
-----------------	--------------------------------------------------------

INTERIOR

Interior finish	stainless steel
-----------------	-----------------

Interior Options	glass turntable
------------------	-----------------

Grill	radiant
-------	---------

Capacity (litres)	25
-------------------	----

POWER

Power Connection	10 amp plug and cord
------------------	----------------------

CONTROLS

Child safety	Yes
--------------	-----

Number of power levels	5
------------------------	---

EXTERIOR

Type	free standing (countertop)
------	----------------------------

Fascia material/Colour	Dark stainless steel
------------------------	----------------------

Trim	No
------	----

DOOR

Door material (exterior)	Dark stainless steel/glass
--------------------------	----------------------------

Door opening mechanism	push button
------------------------	-------------

Door opening	side opening
--------------	--------------

SHIPPING

Shipping Volume (m3)	0.11
----------------------	------

POWER

Microwave power watts	900
-----------------------	-----

Grill power watts	1100
-------------------	------

Convection power watts	2400
------------------------	------

SHIPPING

Shipping Weight (Kg)	20.8
----------------------	------

Pack Dimensions Height (mm)	362
-----------------------------	-----

Pack Dimension Width (mm)	579
---------------------------	-----

Pack Dimension Depth (mm)	530
---------------------------	-----

Total shelf area (m ²)	30.69
------------------------------------	-------

STUFFING QUANTITIES

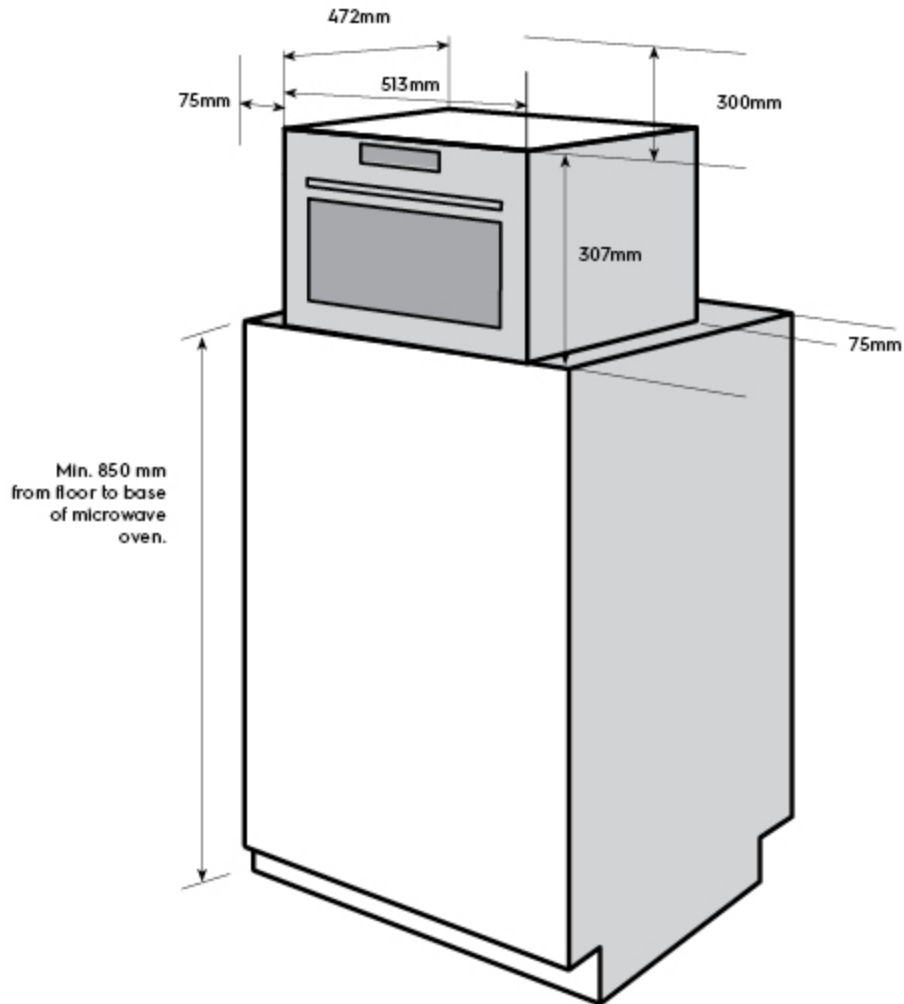
20ft	263
------	-----

40ft	528
------	-----

40ft HC	616
---------	-----

Dimensions

Model:
EMF2529DSD



Terms and Conditions

IMPORTANT

This is a guide of product dimensions only. For complete installation instructions, refer to the manual provided with product.

PRODUCT INFORMATION

The descriptors and illustrations in this publication apply to the specific products and models described as at the date of issue. Under our policy of continuous product development, product specifications may change without notice. Prospective purchasers should therefore check with their retailer to ensure this publication correctly describes the products that are being offered for sale. All information supplied is to be used for general reference purposes only and is on the understanding that Electrolux Home Products Pty Ltd (Australia) and Electrolux (NZ) Ltd (New Zealand) will not be liable for any loss, liability or damage of whatever kind arising as a result of reliance on such information. Colours of products illustrated are as close as printing limitations allow. Electrolux will at all times comply with its obligations pursuant to law including Trade Practices (Australian Consumer Law) Act and Regulations.

WARRANTY

This warranty only applies to Appliances purchased and used in Australia or New Zealand and used in normal domestic applications and is in addition to (and does not exclude, restrict, or modify in any way) any non-excludable statutory warranties in Australia or New Zealand. All warranties are subject to the conditions set out in the warranty card accompanying the product when purchased.

ELECTROLUX HOME PRODUCTS AUSTRALIA

telephone: 1300 363 640

fax: 1800 350 067

email: customercare@electrolux.com.au

web: www.electrolux.com.au

ELECTROLUX HOME PRODUCTS NEW ZEALAND

telephone: 09 573 2230

fax: 09 573 2221

email: customercare@electrolux.co.nz

web: www.electrolux.co.nz