

Electrolux 90cm touch control Canopy rangehood with stainless steel and glass fascia, 3 speeds and halogen lighting



Product Details

FEATURES

Halogen lighting

3 speeds

Centrifugal fan

630m³/hr maximum airflow

Multi-layer filters

Filter clean reminder

Stainless steel body with chimney

BENEFITS

Touch on glass controls

Featuring sleek and stylish touch on glass controls, for easy cleaning and seamless operation

Beautifully designed

Created with sleek lines and a stunning aesthetic, the range has been carefully designed so that each appliance looks individually stunning, yet also fits beautifully together.

Improved air quality

Inspired by the demands of professional kitchens, our Inspiration rangehoods quietly and efficiently remove cooking odours, smoke and steam. Air quality is also improved, so you enjoy maximum freshness.

Easy to clean and maintain

Cleaning need not be a chore, and with our Electrolux rangehoods it isn't. Designed to be easy to clean, simply put the removable filters into the dishwasher.

Specifications

PRODUCT PROFILE

Domestic warranty details (yrs) 2

Type of Rangehood wall mounted canopy

Nominal width (cm) 900

Finish of Rangehood glass, stainless steel

DIMENSIONS

Total product height (mm) 55

Total product width (mm) 900

Total product depth (mm) 500

MOTOR/FAN

Number of fans 1

Number of fans speeds 3

Variable speed control Yes

Auto off Yes

Type of motor centrifugal

Auto fan timer Yes

Maximum airflow M3/Hr 630

Noise level dB high 62

Noise level dB low 55

CONTROLS

Control panel touch on glass controls

Safety/ display indicators auto thermal cutout safety switch, clean filter indicator

LED speed display Yes

DIMENSIONS

Diameter of ducting (mm)	150
--------------------------	-----

Minimum installation height from cooking surface Gas (mm)	650
---	-----

Minimum installation height from cooking surface Electric (mm)	650
--	-----

Maximum canopy chimney height (mm)	1145
------------------------------------	------

Flue cover depth (mm)	290
-----------------------	-----

Flue cover width (mm)	320
-----------------------	-----

FILTERS

Number of filters	3
-------------------	---

Type of filter	multilayer aluminum micromesh filters
----------------	---------------------------------------

Dishwasher safe	Yes
-----------------	-----

DUCTING / RECIRCULATION

Ducting	yes
---------	-----

LIGHTS

Number of lights	2
------------------	---

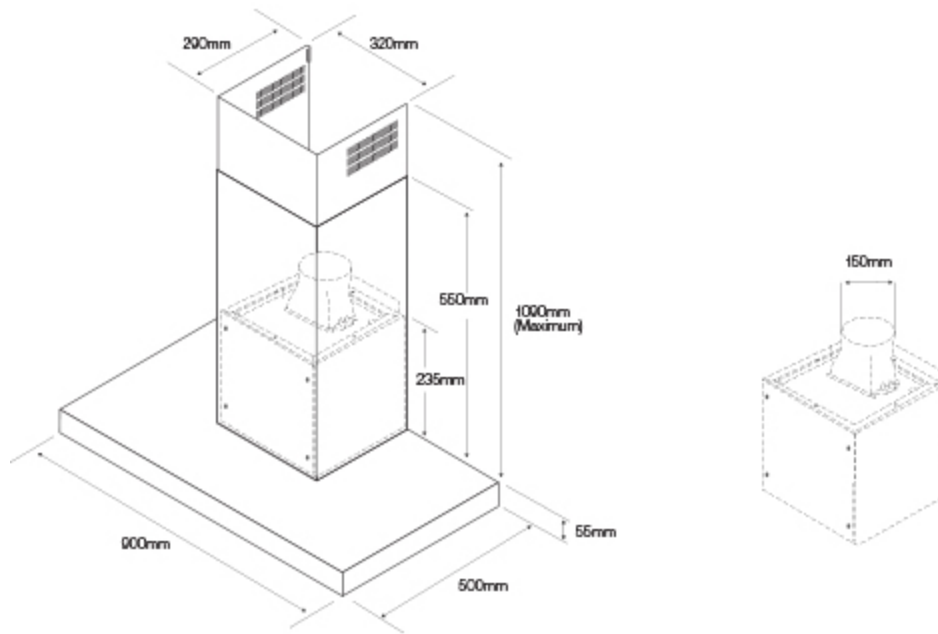
Wattage of light	40
------------------	----

Type of light	halogen
---------------	---------

DUCTING / RECIRCULATION

Top or rear duct hole	top
Recirculation option	Yes
Recirculation kit	optional accessory
Optional extension flue	Yes
Model number of extension flue	AR610FS
Length of extension flue	1200
Ducting accessory available	Yes
Type of filter	Carbon
Filter	AR610CF
Number of optional filters required	two

Dimensions



Terms and Conditions

IMPORTANT

This is a guide of product dimensions only. For complete installation instructions, refer to the manual provided with product.

PRODUCT INFORMATION

The descriptors and illustrations in this publication apply to the specific products and models described as at the date of issue. Under our policy of continuous product development, product specifications may change without notice. Prospective purchasers should therefore check with their retailer to ensure this publication correctly describes the products that are being offered for sale. All information supplied is to be used for general reference purposes only and is on the understanding that Electrolux Home Products Pty Ltd (Australia) and Electrolux (NZ) Ltd (New Zealand) will not be liable for any loss, liability or damage of whatever kind arising as a result of reliance on such information. Colours of products illustrated are as close as printing limitations allow. Electrolux will at all times comply with its obligations pursuant to law including Trade Practices (Australian Consumer Law) Act and Regulations.

WARRANTY

This warranty only applies to Appliances purchased and used in Australia or New Zealand and used in normal domestic applications and is in addition to (and does not exclude, restrict, or modify in any way) any non-excludable statutory warranties in Australia or New Zealand. All warranties are subject to the conditions set out in the warranty card accompanying the product when purchased.

ELECTROLUX HOME PRODUCTS AUSTRALIA

telephone: 1300 363 640

fax: 1800 350 067

email: customercare@electrolux.com.au

web: www.electrolux.com.au

ELECTROLUX HOME PRODUCTS NEW ZEALAND

telephone: 09 573 2230

fax: 09 573 2221

email: customercare@electrolux.co.nz

web: www.electrolux.co.nz