

86cm integrated rangehood in dark stainless steel with inverter motor, Hob2Hood, and maximum airflow of 830 m³/hr.



Product Details

FEATURES

Inverter motor	830m3/hr powerful extraction	Hob2Hood	3 fan speeds plus PowerBoost
Delay off	Clean Filter indicator	LED lighting	Dishwasher safe filters

BENEFITS

THE QUIET ACHIEVER

Electrolux hoods with inverter technology remove cooking odours from your kitchen air at noise levels as low as 42 dBA*, so you can focus on cooking delicious dishes in a cleaner and quieter environment. Inverter motors are also more durable and energy efficient than traditional motors.*Based on internal test TR000071828/A

LET'S CLEAR THE AIR

Whether you're frying, searing or steaming, efficiently remove cooking vapours and odours from your kitchen in minutes. The powerful motor with high extraction airflow rate of 790m/hr* clears the air quickly and quietly.*Based on internal test TR000071828/A

The hands-free hood

When paired with a compatible Electrolux cooking hob, Hob2Hood automatically switches it on as you start cooking and adjusts the fan speed based on how you are using your hob. This means you can boil, sear or stir-fry without having to touch your hood with greasy fingers.

Extra extraction

When intensely fragranced foods such as onions and garlic hit smoking oil in the wok or pan, it's time to use PowerBoost. Simply increase the airflow for a minute to prevent strong odours from lingering.

Clear the kitchen air

When you are done cooking and activate the switch off the hood option, the hood will initiate the delay-off function, keeping the hood on for a little longer. With the built-in timer, the hood will continue to eliminate odours and ensure that your kitchen remains smelling fresh after you have finished cooking. So while you are eating, the hood will turn off automatically after 5 minutes.

LIGHT UP YOUR COOKING

Bright LED lighting allows you to clearly see what's cooking, helping you to adapt quickly to what's happening to the tastes and textures on your cooktop. It's also more energy efficient and environmentally friendly than traditional lighting.

Specifications

PRODUCT PROFILE

Domestic warranty details (yrs) 2

Type of Rangehood integrated

Nominal width (cm) 86

Finish of Rangehood Dark stainless steel

MOTOR/FAN

Number of fans 1

Number of fans speeds 4

Auto off Yes

Type of motor DC Inverter motor

Perimeter extraction No

Maximum airflow M3/Hr 830

Noise level dB high 54

Noise level dB low 42

Number of motors 1

Wattage of motor 200

DIMENSIONS

Total product height (mm) 329

Total product width (mm) 866

POWER

Electricity supply required (Kw) 0.207

DIMENSIONS

Total product depth (mm)	292
Diameter of ducting (mm)	150
Minimum installation height from cooking surface Gas (mm)	620
Minimum installation height from cooking surface Electric (mm)	600
Product Weight (Kg)	11
Cut out width (mm)	833
Cut out depth (mm)	262

CONTROLS

Control panel	electronic push button
Safety/ display indicators	clean filter indicator,automatic safety cut off
LED speed display	Yes
Hob2Hood function	Yes

LIGHTS

FILTERS

Number of filters	2
Type of filter	multilayer aluminum micromesh filters
Dishwasher safe	Yes

DUCTING / RECIRCULATION

LIGHTS

Number of lights	2
------------------	---

Wattage of light	3.5
------------------	-----

Type of light	LED
---------------	-----

DUCTING / RECIRCULATION

Ducting	optional accessory
---------	--------------------

Top or rear duct hole	top
-----------------------	-----

Recirculation option	Yes
----------------------	-----

Recirculation kit	optional accessory
-------------------	--------------------

Front recirculating option	No
----------------------------	----

Type of filter	Carbon
----------------	--------

Filter	Optional
--------	----------

Number of optional filters required	two
-------------------------------------	-----

Ducting diameter (mm)	150
-----------------------	-----

SHIPPING

Shipping Volume (m3)	0.164
----------------------	-------

Shipping Weight (Kg)	14.5
----------------------	------

Product Weight (Kg)	10.5
---------------------	------

Pack Dimensions Height (mm)	471
-----------------------------	-----

STUFFING QUANTITIES

20ft	144
------	-----

40ft	296
------	-----

40ft HC	370
---------	-----

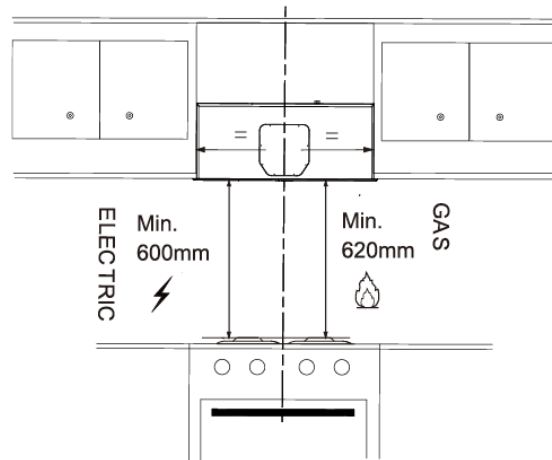
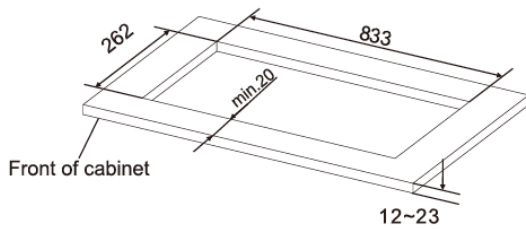
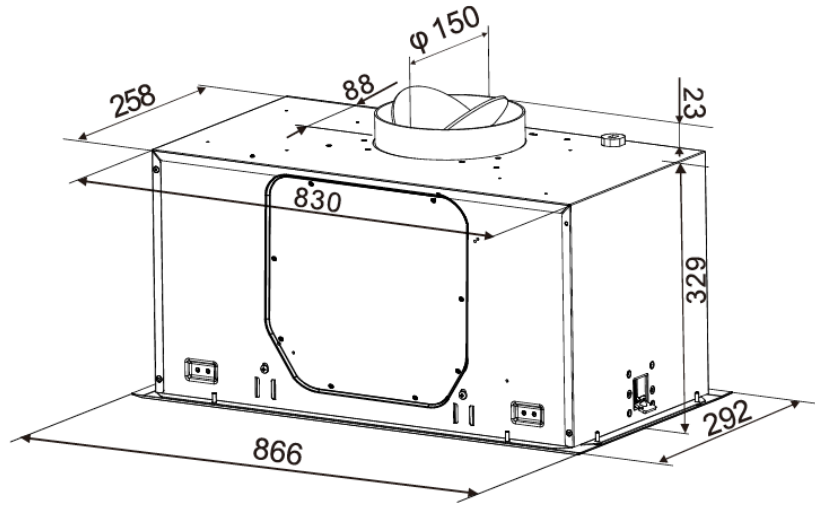
SHIPPING

Pack Dimension Width (mm)	921
------------------------------	-----

Pack Dimension Depth (mm)	378
------------------------------	-----

Dimensions

Model:
ERI955DSE



Terms and Conditions

IMPORTANT

This is a guide of product dimensions only. For complete installation instructions, refer to the manual provided with product.

PRODUCT INFORMATION

The descriptors and illustrations in this publication apply to the specific products and models described as at the date of issue. Under our policy of continuous product development, product specifications may change without notice. Prospective purchasers should therefore check with their retailer to ensure this publication correctly describes the products that are being offered for sale. All information supplied is to be used for general reference purposes only and is on the understanding that Electrolux Home Products Pty Ltd (Australia) and Electrolux (NZ) Ltd (New Zealand) will not be liable for any loss, liability or damage of whatever kind arising as a result of reliance on such information. Colours of products illustrated are as close as printing limitations allow. Electrolux will at all times comply with its obligations pursuant to law including Trade Practices (Australian Consumer Law) Act and Regulations.

WARRANTY

This warranty only applies to Appliances purchased and used in Australia or New Zealand and used in normal domestic applications and is in addition to (and does not exclude, restrict, or modify in any way) any non-excludable statutory warranties in Australia or New Zealand. All warranties are subject to the conditions set out in the warranty card accompanying the product when purchased.

ELECTROLUX HOME PRODUCTS AUSTRALIA

telephone: 1300 363 640

fax: 1800 350 067

email: customercare@electrolux.com.au

web: www.electrolux.com.au

ELECTROLUX HOME PRODUCTS NEW ZEALAND

telephone: 09 573 2230

fax: 09 573 2221

email: customercare@electrolux.co.nz

web: www.electrolux.co.nz