

60cm Dark stainless steel 13 multifunction oven with Bake +Steam, pyrolytic cleaning, Intuitive Oven Interface and Smart Food Probe.



Product Details

FEATURES

Bake +Steam	Intuitive Oven Interface (IOI)	Smart Food Probe	Pyrolytic self-cleaning oven
FullFlex Telescopic Runners	Surround lighting for better illumination Keeping an eye on your delicious food couldnt be simpler, with halogen lights embedded in the front and back to illuminate the oven.	Soft close door	Easy glide side racks
Quadruple glazed oven doors	13 oven functions	80 litre gross oven capacity	

BENEFITS

Effortless baking

Adding steam to your Baking Program can lift your baking skills to a whole new level. The Bake +Steam function on this oven uses a touch of steam to create a richer and glossier colour, a crispier crust and soft delicious texture for your home-baked goodies.

Say hello to intuitive control

Cooking should be fun, not complicated. Our Intuitive Oven Interface (IOI) gives you a simpler and more enjoyable way to cook. You wont even need a manual.

The perfect result, every time

The Smart Food Probe ensures your dishes are delicious every time. The food probe alerts you when food reaches the desired core temperature and switches the oven off so you get the perfect result.

Love your cooking. We'll clean up.

Now you can unleash your creative skills in the kitchen, without worrying about the mess. Just set the pyrolytic function, come back when its finished and wipe away the residue, without hard scrubbing or exposure to harsh chemicals.

Smooth operator

Our fully extendable telescopic runners give you safe, effortless access to all areas of your oven. This makes it simple to turn, baste and check on your food for delicious results every time.

Specifications

PRODUCT PROFILE

Domestic warranty details (yrs)	2
---------------------------------	---

Type of Oven	single pyrolytic oven
--------------	-----------------------

Oven fuel	electric
-----------	----------

Materials/Colour	Dark stainless steel,black
------------------	----------------------------

Controls of Oven	IOI,touch
------------------	-----------

Cooling fan	Yes
-------------	-----

FLUSH FIT CUT OUT

Flush fit cut out height (mm)	600
-------------------------------	-----

Flush fit cut out width (mm)	600
------------------------------	-----

Flush fit cut out depth (mm)	581
------------------------------	-----

DIMENSIONS

PRODUCT DIMENSION

Total height (mm)	597
-------------------	-----

Total width (mm)	596
------------------	-----

Total depth (mm)	572
------------------	-----

MAIN OVEN

Gross capacity litres	80
-----------------------	----

Useable capacity litres	72
-------------------------	----

Oven function	multifunction
---------------	---------------

Number of functions	13
---------------------	----

ELECTRICAL CONNECTION

Connected load KW	3.1
Maximum current rating (amps)	12.9
Type of connection	hardwired
Minimum Fuse rating (amps)	16

MAIN OVEN

Oven Functions	fan cooking, fan assist bake, traditional bake, roast, pizza, pastry, cook from frozen, full grill, fan grill, keep warm, defrost, pyro clean ,grill, Plus steam, rapid heat
Oven liner	pyrolux high temperature enamel
Timer functions	acoustic signal, duration, minute minder, Countdown, End time, Delayed start, Time of day

OTHER FEATURES

Cleaning	pyrolytic
Pyrolytic functions	3
Type of Pyrolytic functions	pyrolytic light clean, pyrolytic medium clean, pyrolytic heavy clean
Door	removable door, removable inner glass panes, Soft close
Timer	Fully programmable touch control timer
Lights	3
Light wattage	25
Light position	side and rear

OTHER FEATURES

Telescopic runners	two
Shelf support	Easy glide side racks
Number of shelves	3
Safety features	child button lock
Closed door grilling	Yes
Fold down grill element	Yes
Included accessories	baking tray,2 x chromed wire shelf,grill/oven pan,Smart food probe,2 x telescopic runners,side racks,cast baking dish
Layers of glass in door	4
Number of shelf positions	5
Food probe	Yes

SHIPPING

Shipping Volume (m3)	0.28
Shipping Weight (Kg)	46.0
Pack Dimensions Height (mm)	665

STUFFING QUANTITIES

40ft	153
------	-----

SHIPPING

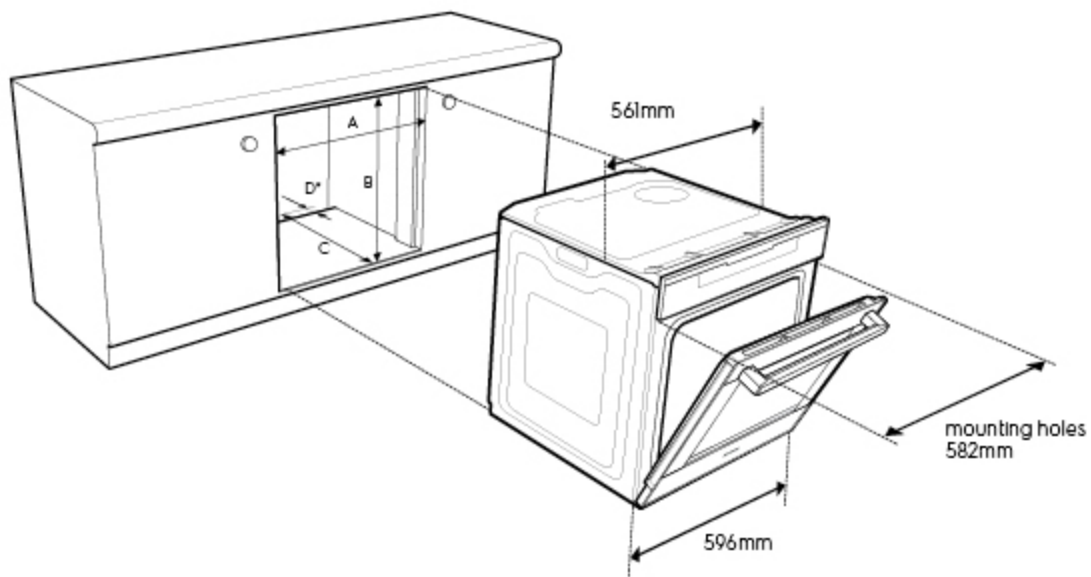
Pack Dimension Width (mm)	635
------------------------------	-----

Pack Dimension Depth (mm)	670
------------------------------	-----

Total shelf area (m ²)	42.55
------------------------------------	-------

Dimensions

Models:
 EVEP614SD
 EVEP614DSD
 EVEP616DSD
 EVEP618DSD



Pyrolytic cut-out dimensions

Type of fit	A (width)	B (height)	C (depth)	D*
Flush fit (mm)	600	600	581 min.	20

Please note! Dimensions to be used as a guide only. All customers MUST refer to the user manual supplied with the product for detailed installation instructions.

*** D - Dimension**

For proper ventilation there must be a gap at the bottom rear of the cabinet. This can be a slot 20mm deep or an equivalent, full width opening (e.g. a series of holes) with a min area of 120cm². The opening must be clear of the product when fully installed. This is a requirement for any EVEFxxxx model. Power point connection for the EVEP618SC must be accessible with the appliance fully installed. If the supply cord is damaged it must be replaced by the manufacturer, its service agent or similarly qualified persons in order to avoid a hazard.

Terms and Conditions

IMPORTANT

This is a guide of product dimensions only. For complete installation instructions, refer to the manual provided with product.

PRODUCT INFORMATION

The descriptors and illustrations in this publication apply to the specific products and models described as at the date of issue. Under our policy of continuous product development, product specifications may change without notice. Prospective purchasers should therefore check with their retailer to ensure this publication correctly describes the products that are being offered for sale. All information supplied is to be used for general reference purposes only and is on the understanding that Electrolux Home Products Pty Ltd (Australia) and Electrolux (NZ) Ltd (New Zealand) will not be liable for any loss, liability or damage of whatever kind arising as a result of reliance on such information. Colours of products illustrated are as close as printing limitations allow. Electrolux will at all times comply with its obligations pursuant to law including Trade Practices (Australian Consumer Law) Act and Regulations.

WARRANTY

This warranty only applies to Appliances purchased and used in Australia or New Zealand and used in normal domestic applications and is in addition to (and does not exclude, restrict, or modify in any way) any non-excludable statutory warranties in Australia or New Zealand. All warranties are subject to the conditions set out in the warranty card accompanying the product when purchased.

ELECTROLUX HOME PRODUCTS AUSTRALIA

telephone: 1300 363 640

fax: 1800 350 067

email: customercare@electrolux.com.au

web: www.electrolux.com.au

ELECTROLUX HOME PRODUCTS NEW ZEALAND

telephone: 09 573 2230

fax: 09 573 2221

email: customercare@electrolux.co.nz

web: www.electrolux.co.nz