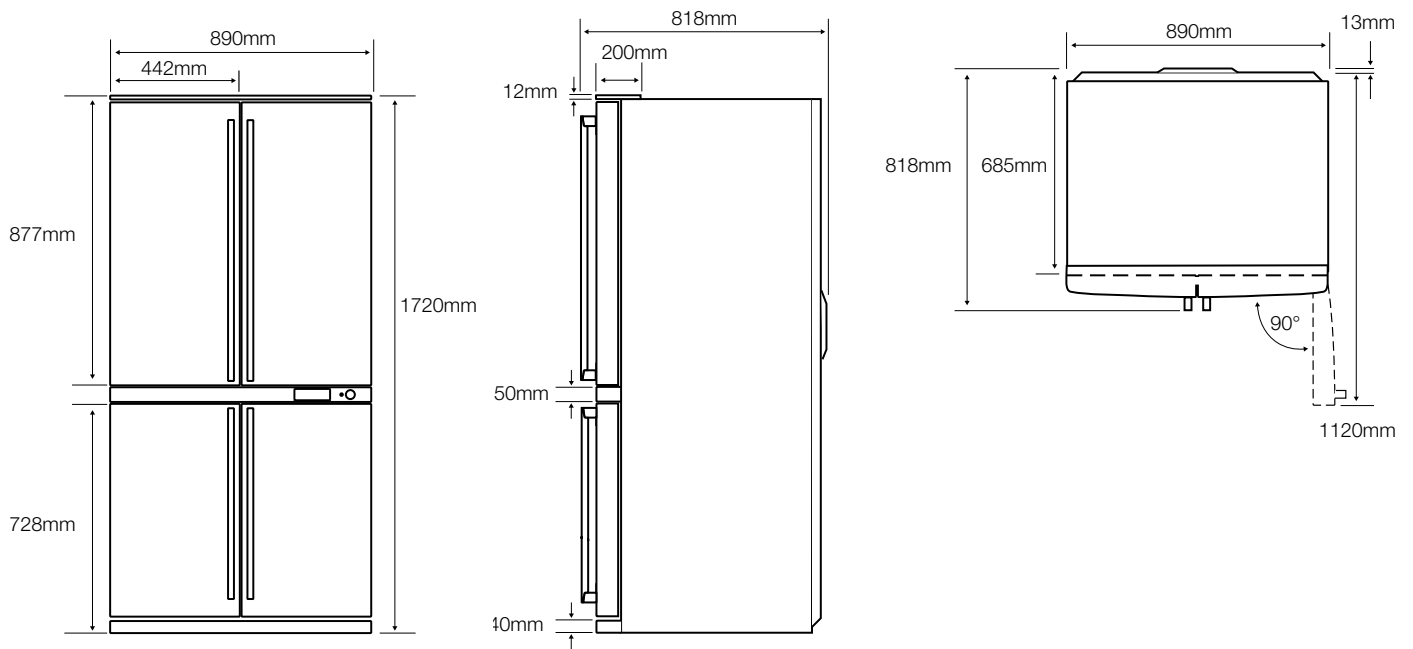


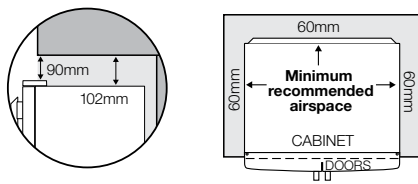
# dimensions and installation guide

## electrolux four door fridge

**model** EQE6207SD

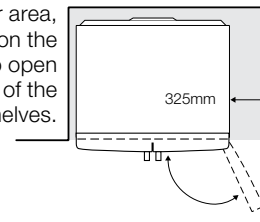


### Minimum Recommended Airspaces



NOTE: Doors are designed to sit proud of cabinetry (not flush).

When positioned in a corner area, spacing of at least 325mm on the sides will allow the doors to open enough to enable removal of the crisper bins and shelves.



### IMPORTANT

This is a guide of product dimensions only. For complete installation instructions, refer to the manual provided with product.

All measurements in millimetres.  
 Current as at January 2014.  
 © 2013 Electrolux Home Products Pty Ltd. EDIM\_FRI\_EQE6207SD\_Jan14



Thinking of you  
**Electrolux**